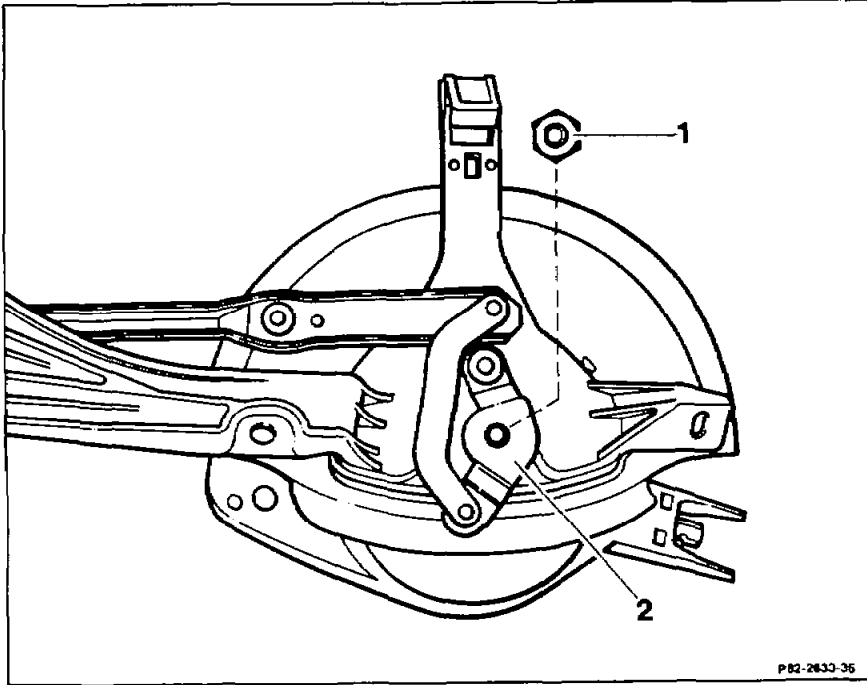


82-0760 Removing and installing wiper linkage

Preceding work:
Wiper system removed (82-0680).

Operation no. of operation texts and work units or standard texts
and flat rates:
82-0760



Nut (1) on wiper motor shaft	unscrew, screw on, 19 Nm.
Crank arm (2)	press off, fit on.

Align markings on gear head for installing
(arrows) so that they are above each other (park
position).

