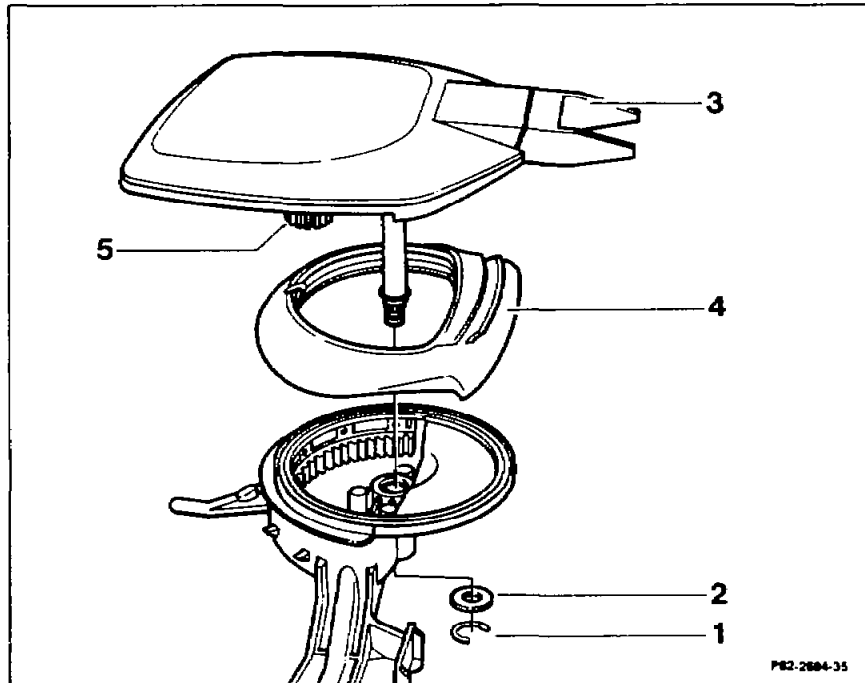


82-0765 Removing and installing rubber seal below wiper gear

Preceding work:
 Wiper system removed (82-0680).
 Wiper linkage detached from wiper gear (82-0760).

Operation no. of operation texts and work units or standard texts
 and flat rates:



Locking ring (1) and washer (2) take off, fit on.

Gear head (3) turn into centre position, remove from bearing, insert.

Rubber seal (4) remove, exchange. Coat rubber seal with MB Universal Adhesive.



Gear head can only be removed in centre position. Do not knock out with hammer. When installing, the push rod must be fully inserted; correct, if necessary, by turning cog wheel (5).

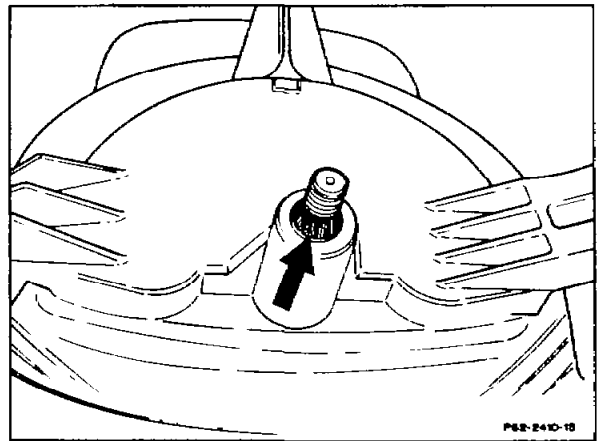
Removal

- 1 Press off locking ring (arrow).



Gear head can only be withdrawn in centre position. Do not use force.

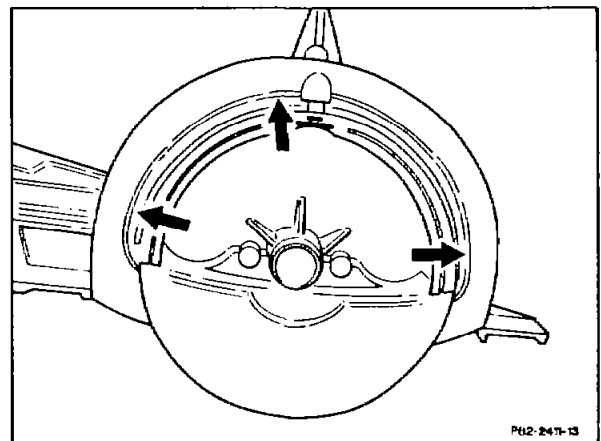
- 2 Turn gear head into centre position (at right angles to notched bar) and withdraw the bearing.



- 3 Take off rubber seal (arrows).

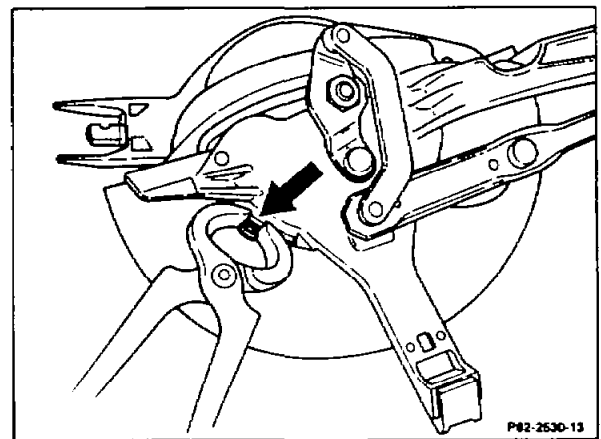
Installation

- 4 Coat new rubber seal (arrows) with MB Universal Adhesive and stick onto the housing.



Models with air conditioner

- 5 Additionally attach new rubber seal with a hose strap (arrow).



- 6 Move gear head into centre position and introduce into bearing until the push rod is fully inserted. Correct at gear wheel if necessary by turning.

- 7 Press retaining ring onto wiper shaft.

