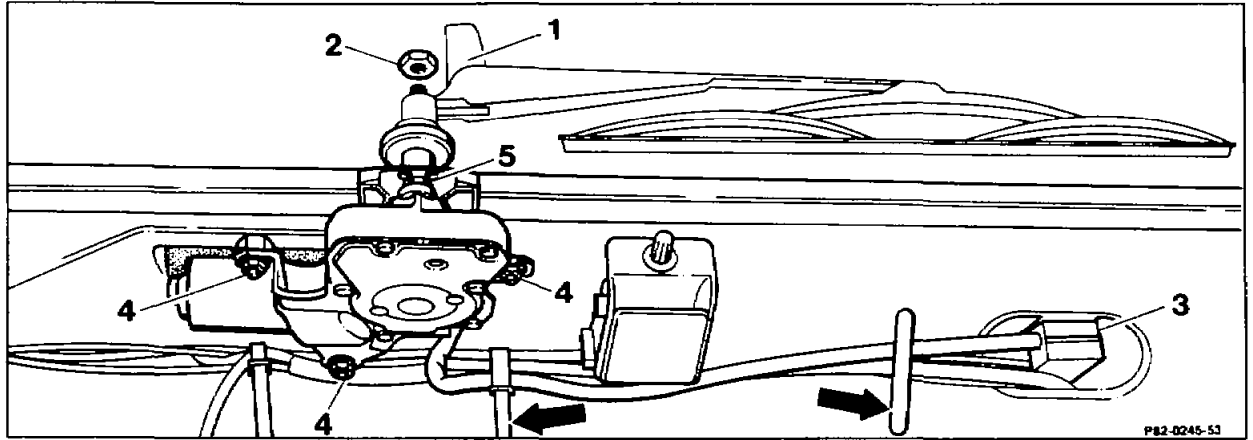


82-0770 Removing and installing tail gate wiper motor

Preceding work:
Door trim on tail gate removed (72-105).

Operation no. of operation texts and work units or standard texts
and flat rates:
82-1450



Cover (1)	open, close.
Hexagon nut (2)	unscrew, screw on.
Wiper arm	take off, fit on.
Cable straps (arrows)	open.
Electrical connection (3)	unplug, plug in.

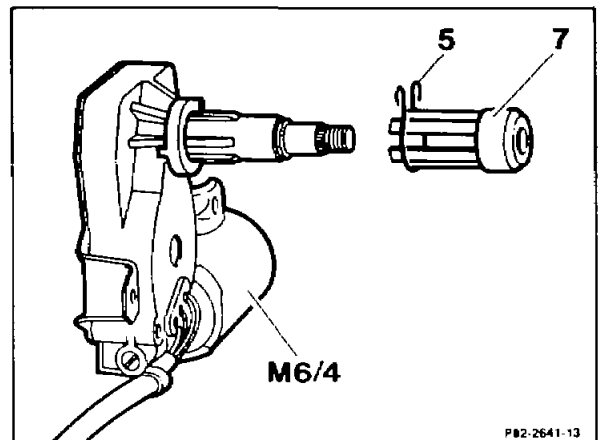
Note

As of 02/86 a clip prevents the coupling being detached from the wiper motor connector when the tail gate is closed.

3 hexagon nuts (4)	unscrew, screw on.
Retaining ring (5)	open, take out wiper motor (M6/4), insert.

Note

Insert wiper motor (M6/4) so that the cover on the outside (7) meshes into the grooves on the wiper motor (M6/4). Have a second person hold the outside cover (7) and press in the wiper motor (M6/4) deep enough for the retaining ring (5) to engage in the groove on the wiper motor (M6/4).



Retaining ring (5) remove from groove, insert.
Outer cover (7) and inner cover (6) take off, insert.

