

## 82-0790 Function of heated windscreen washer nozzle

Operation no. of operation texts and work units or standard texts and flat rates:

### Nozzle

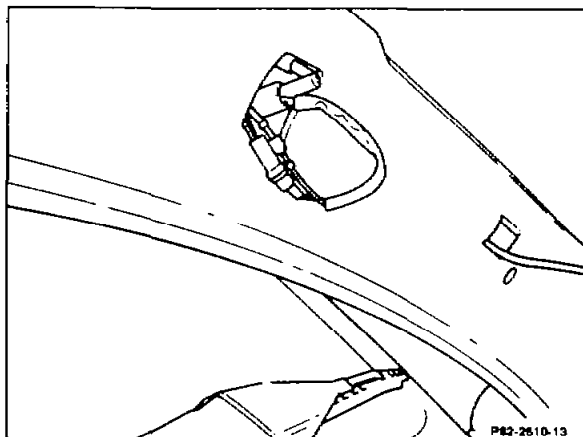
#### 1st version (up to 08/87)

A PTC heating resistor is installed in the nozzle. This PTC heating resistor increases its resistance as the nozzle heats up.

With the key in position 2, a current of approx. 300 mA flows through the PTC heating resistor, which reduces to a steady-state current of 100 mA as the nozzle heats up.

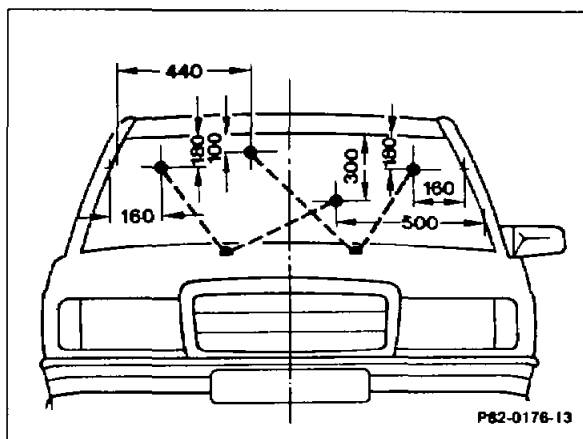
#### 2nd version (as of 09/87)

A fixed resistor of 32.9  $\Omega$  is installed in the nozzle. A heating current of 390 mA flows at  $-20^{\circ}\text{C}$ .



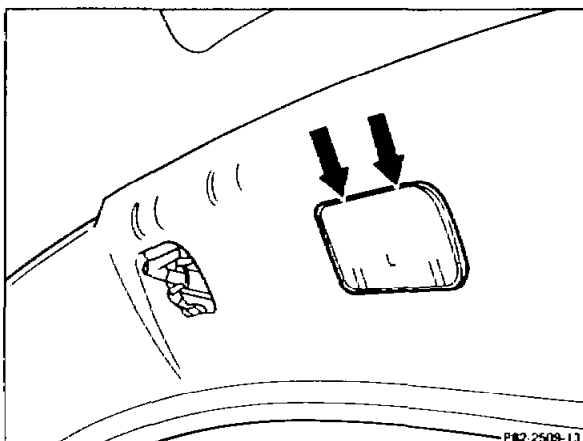
### Setting of nozzles

The nozzles are set in accordance with the drawing opposite.



### Check valve

The check valve is located below the cover in the hood. Unclip cover (arrows).



The check valve is protected with foam to prevent noises (foam pushed back).

