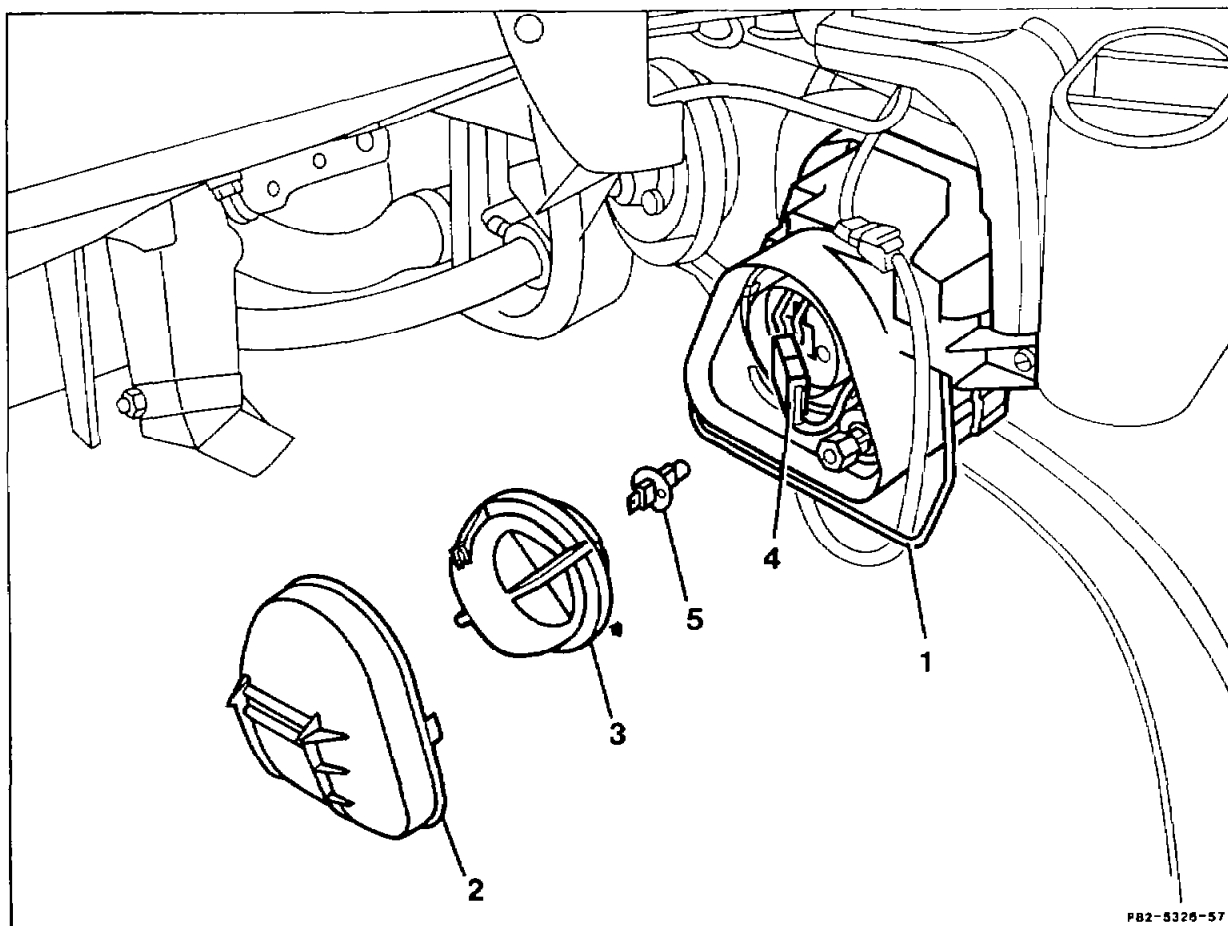


82-5105 Removing and installing bulb of fog lamp (model 124.036)

Operation no. of operation texts and work units or standard texts
and flat rates:
82-1201



P82-5326-57

Lid on cover of wheelhouse	open, close.
Bar (1)	unclip and take off lid (2), fit on and clip bar into place.
Lid (3)	turn to the left and remove, fit on and turn to the right.
1-pin coupling (4)	unplug, plug in.
Securing clip	unclip, clip in place.
H1 bulb (5)	remove, insert.



When installing bulb, ensure that it is correctly in place. Do not touch bulb with bare fingers, but use a non-greasy, soft cloth.