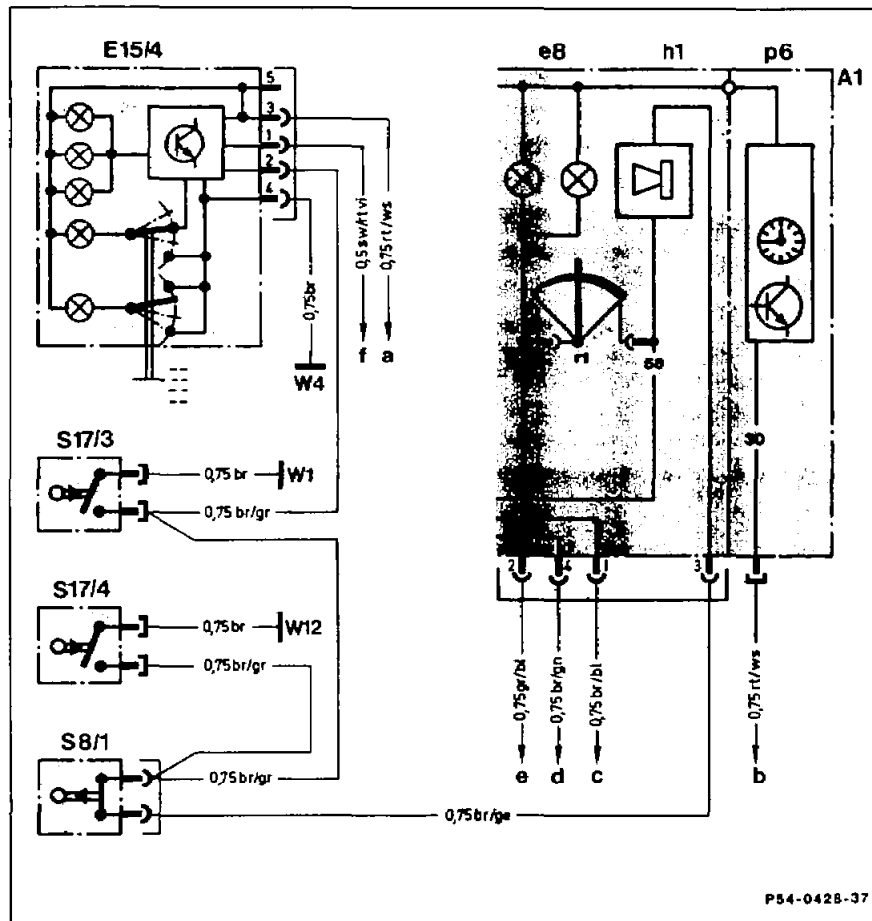


82-5891 Light warning buzzer (except USA)

Operation no. of operation texts and work units or standard texts and flat rates:



Wiring diagram of light warning buzzer

A1	Instrument cluster	W4	Ground, front dome lamp
A1e8	Instrument lighting	W12	Ground, center console
A1h1	Warning buzzer	a	To fuse 9 terminal 30
A1p6	Electronic clock	b	To fuse 9 terminal 30
E15/4	Dome lamp with reading lamp and seat belt reminder	c	To switch, windscreen washer level indicator lamp S42
S8/1	Warning buzzer contact, lighting	d	To plug connection, starter harness X27
S17/3	Front left door contact switch	e	To terminal block X6, terminal 58d (2-pin)
S17/4	Front right door contact switch	f	To fuse 5 terminal 15
W1	Main ground (behind instrument cluster)		

If a light source (high beam, low beam or parking light) is not switched off, a warning buzzer sounds to indicate this after the ignition key is withdrawn or when the right or left front door is opened.

The warning buzzer is controlled via the door contact switches of the interior lighting. The warning buzzer stops again when the front door is closed.