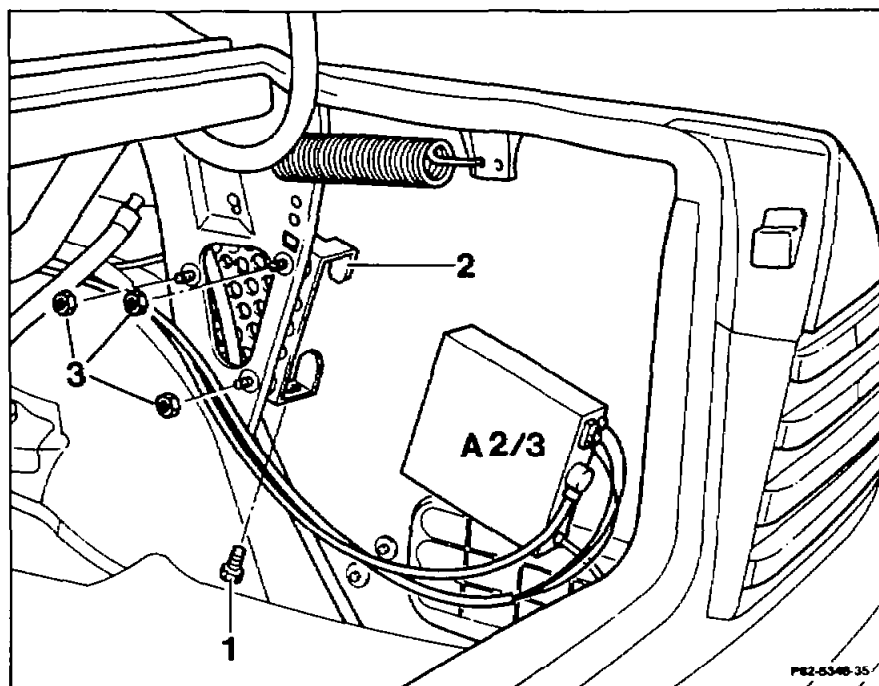


82-7605 Removing and installing receiver and amplifier (up to approx. 08/93)

Operation no. of operation texts and work units or standard texts and flat rates:

A. Sedan



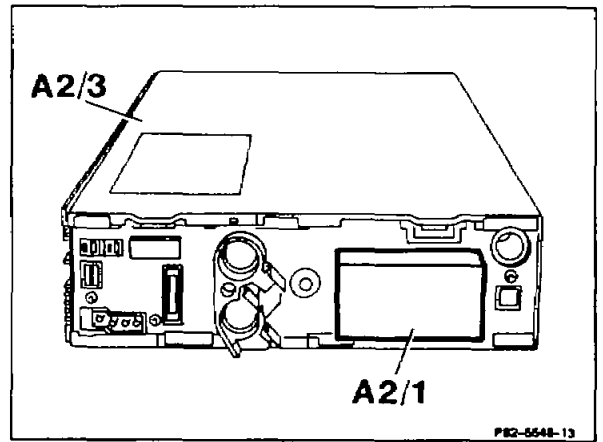
Ground cable at battery	disconnect, connect.
Right trunk trim panel	remove, install.
Electrical connections, antenna, data and speaker wiring	unplug, plug in.
Bolt (1)	unscrew, screw in.
Receiver and amplifier (A2/3)	remove, insert.
If bracket (2) also has to be replaced: nuts (3) ...	unscrew, screw in.
Bracket (2)	remove, install.

Note

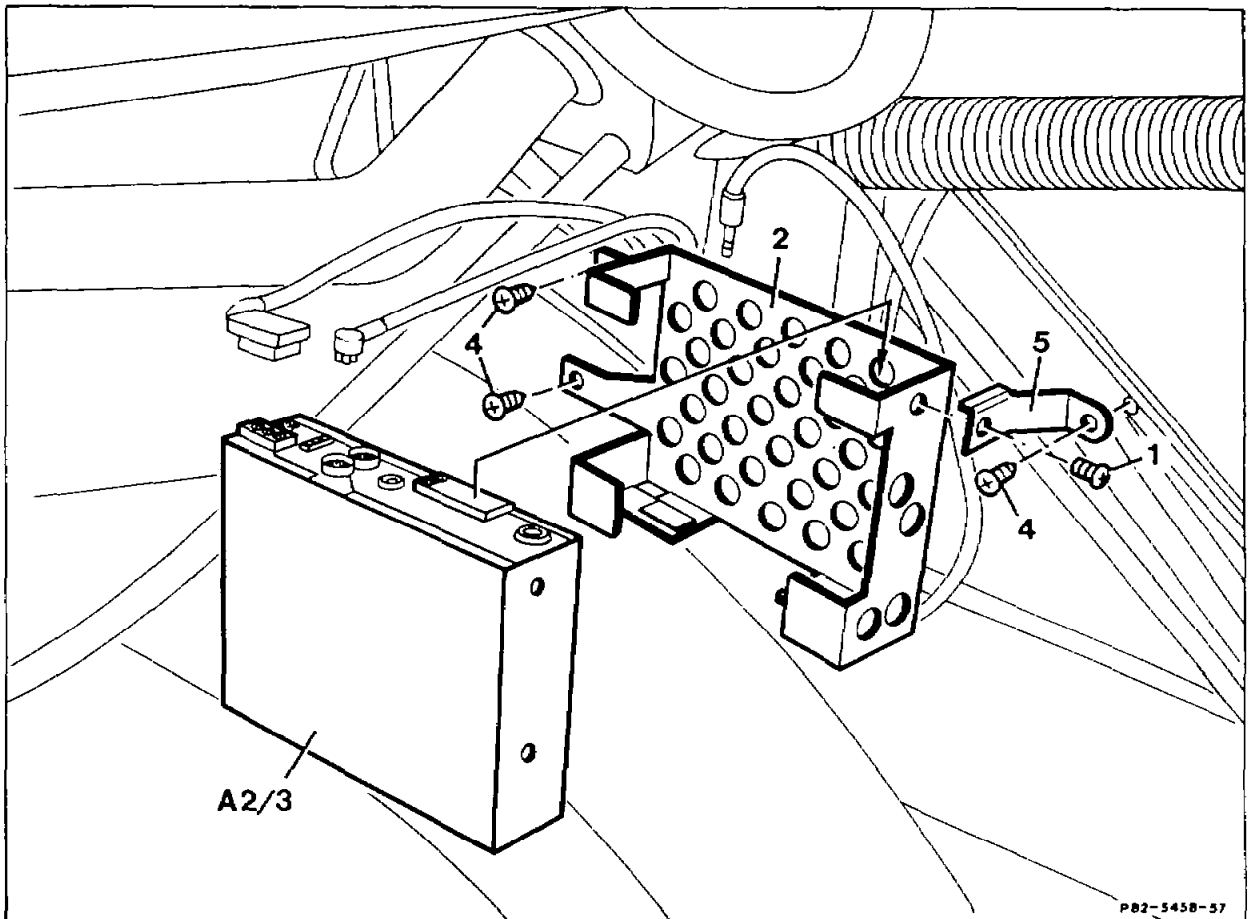
Vehicles with sound system

When exchanging the receiver and amplifier (A2/3), the line-out unit (A2/1) must be converted.

- A2/1 Radio/sound system line-out unit
- A2/3 Receiver and amplifier (in trunk)



B. Coupé



- | | |
|---|----------------------|
| Ground cable at battery | disconnect, connect. |
| Right trunk trim panel | remove, install. |
| Electrical connections, antenna, data and
speaker wiring | unplug, plug in. |

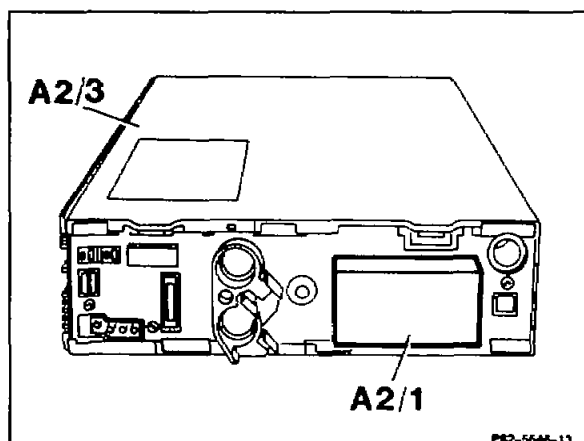
Screws (4)	unscrew, screw in.
Receiver and amplifier (A2/3) with bracket (2)	remove, insert.
Screw (1)	unscrew, screw in.
Bracket (5)	take off, insert.
Receiver and amplifier (A2/3)	remove from bracket (2), insert.

Note

Vehicles with sound system

When exchanging the receiver and amplifier (A2/3), the line-out unit (A2/1) must be converted.

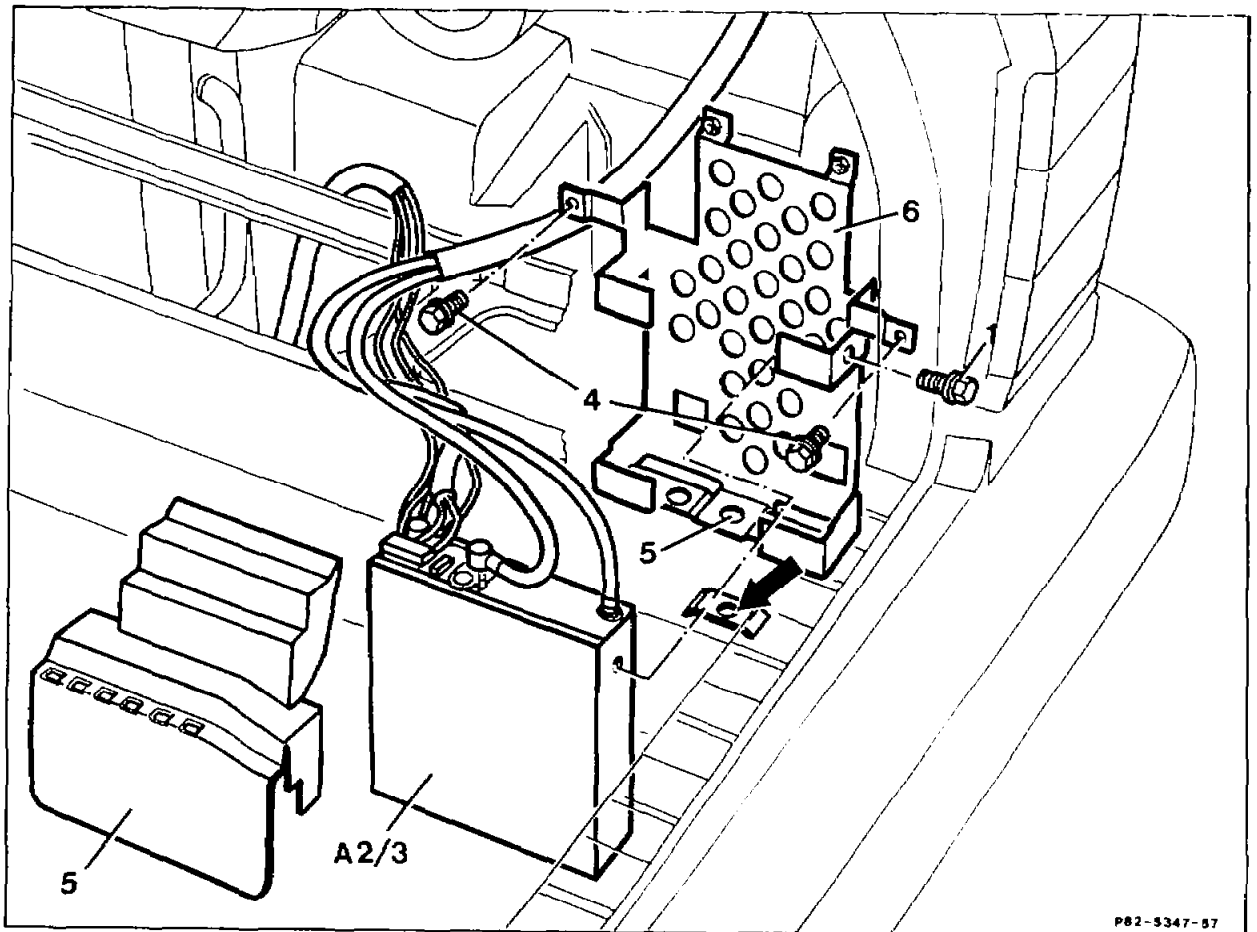
- A2/1 Radio/sound system line-out unit
- A2/3 Receiver and amplifier (in trunk)



C. Station wagon

Preceding work:

On vehicles with active bass amplifier
Control unit of active bass speaker
system amplifier removed (82-7725).



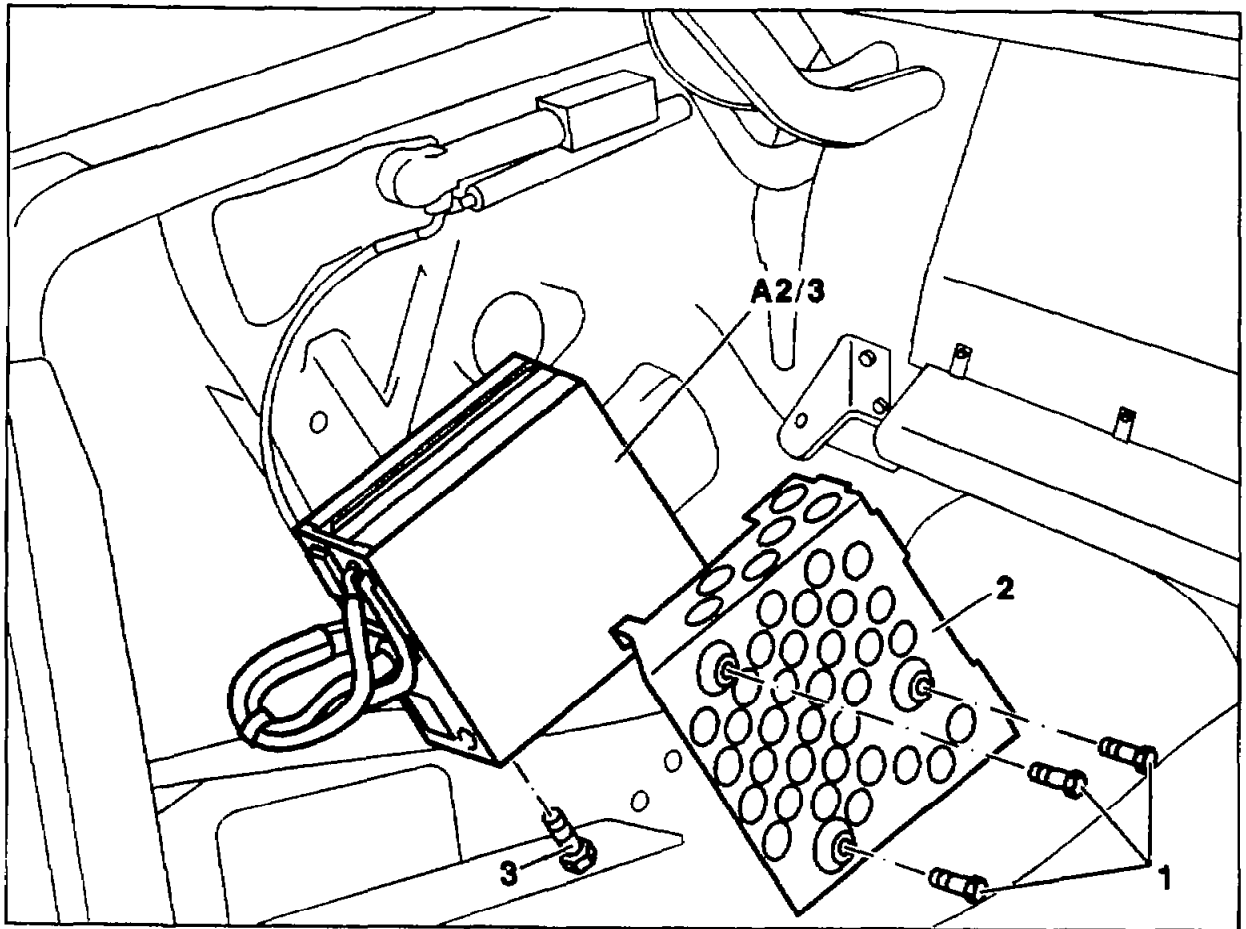
P82-5347-87

Ground cable at battery	disconnect, connect.
Right side trim panel	open, close.
Cover (5)	take off, insert.
Bolts (4)	unscrew, screw in.
Electrical connections, antenna, data and speaker wiring	unplug, plug in.
Receiver and amplifier (A2/3) with bracket	remove, insert.
Bolt (1)	unscrew, screw in.
Receiver and amplifier (A2/3)	remove from bracket (6), insert.

Note

The rubber stud of bracket (5) must engage in the hole (arrow) of the plate.

D. Convertible



P82-6399-57

Battery ground cable	disconnect, connect.
Mat in trunk	remove, reinstall.
Dividing wall between fuel tank and trunk	remove, install (68-700).
Panelling on left side of trunk	remove, install.
Electrical connections, antenna, data and speaker wiring	disconnect, reconnect.
Screws (1) for bracket (2)	screw out, screw in.
Receiver and amplifier (A2/3)	remove together with bracket (2), reinstall.
Retaining screw (3) on bracket (2)	screw out, screw in.
Receiver and amplifier (A2/3)	remove from bracket (2), reinstall.