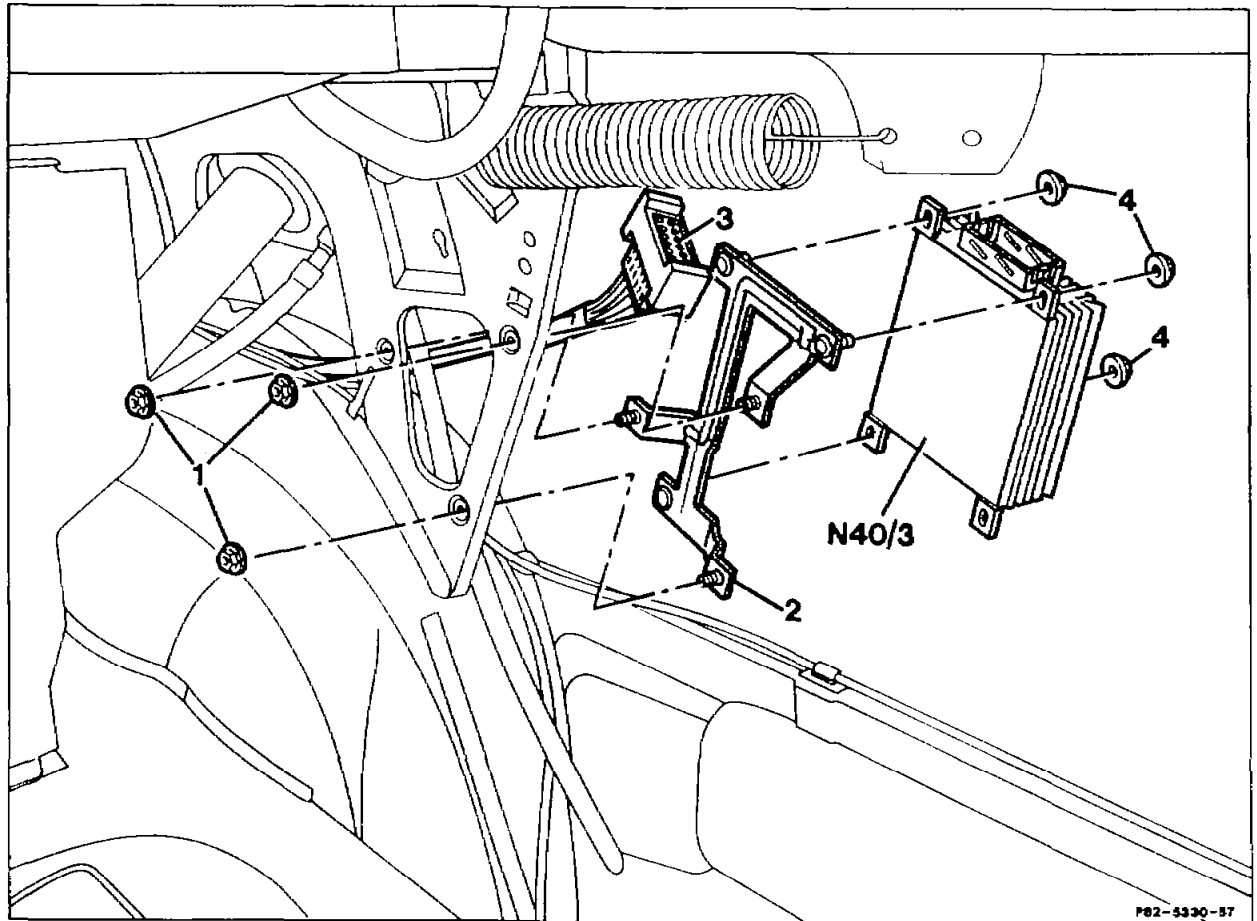


82-7725 Removing and Installing amplifier of active bass speakers

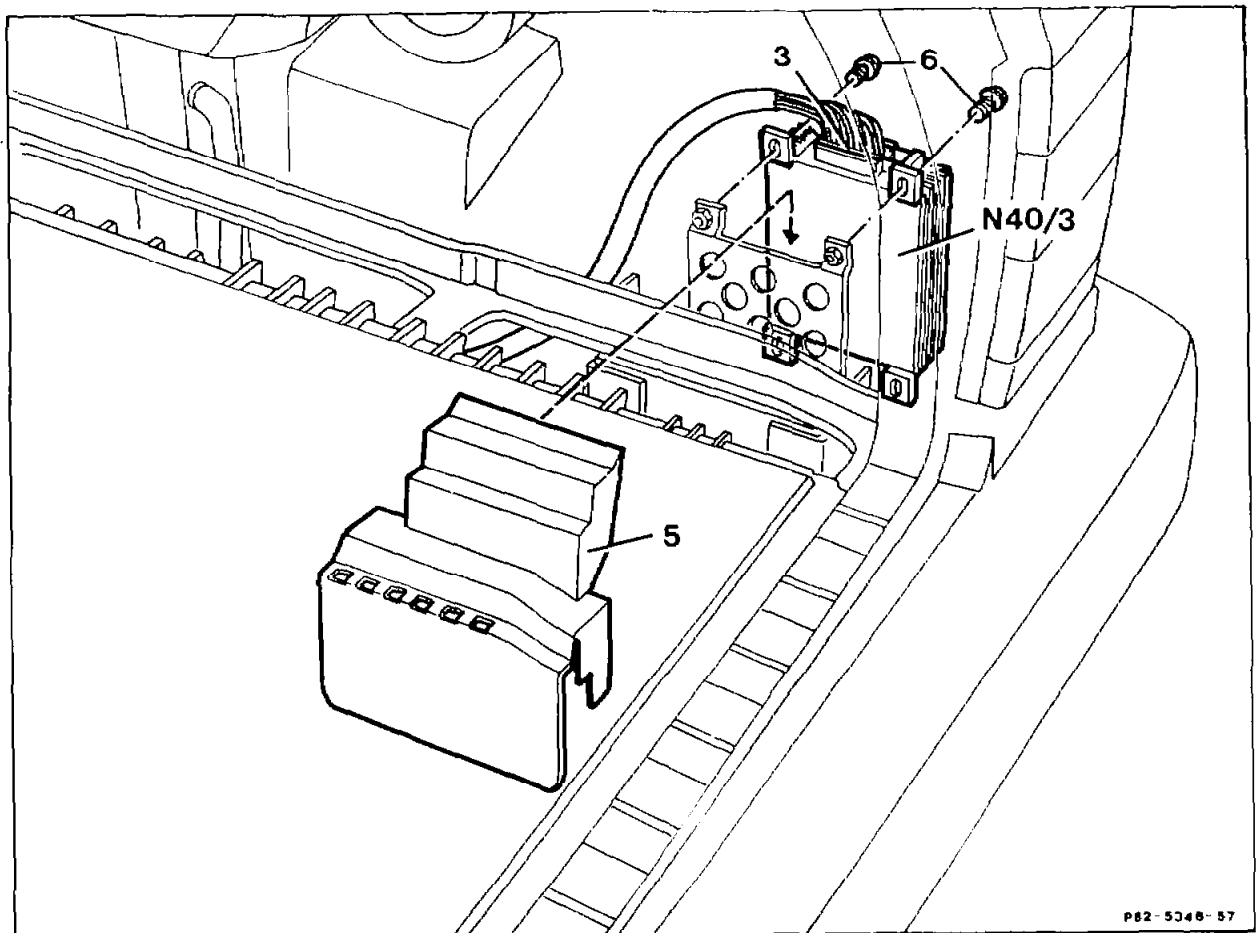
Operation no. of operation texts and work units or standard texts and flat rates

A. Sedan and coupe



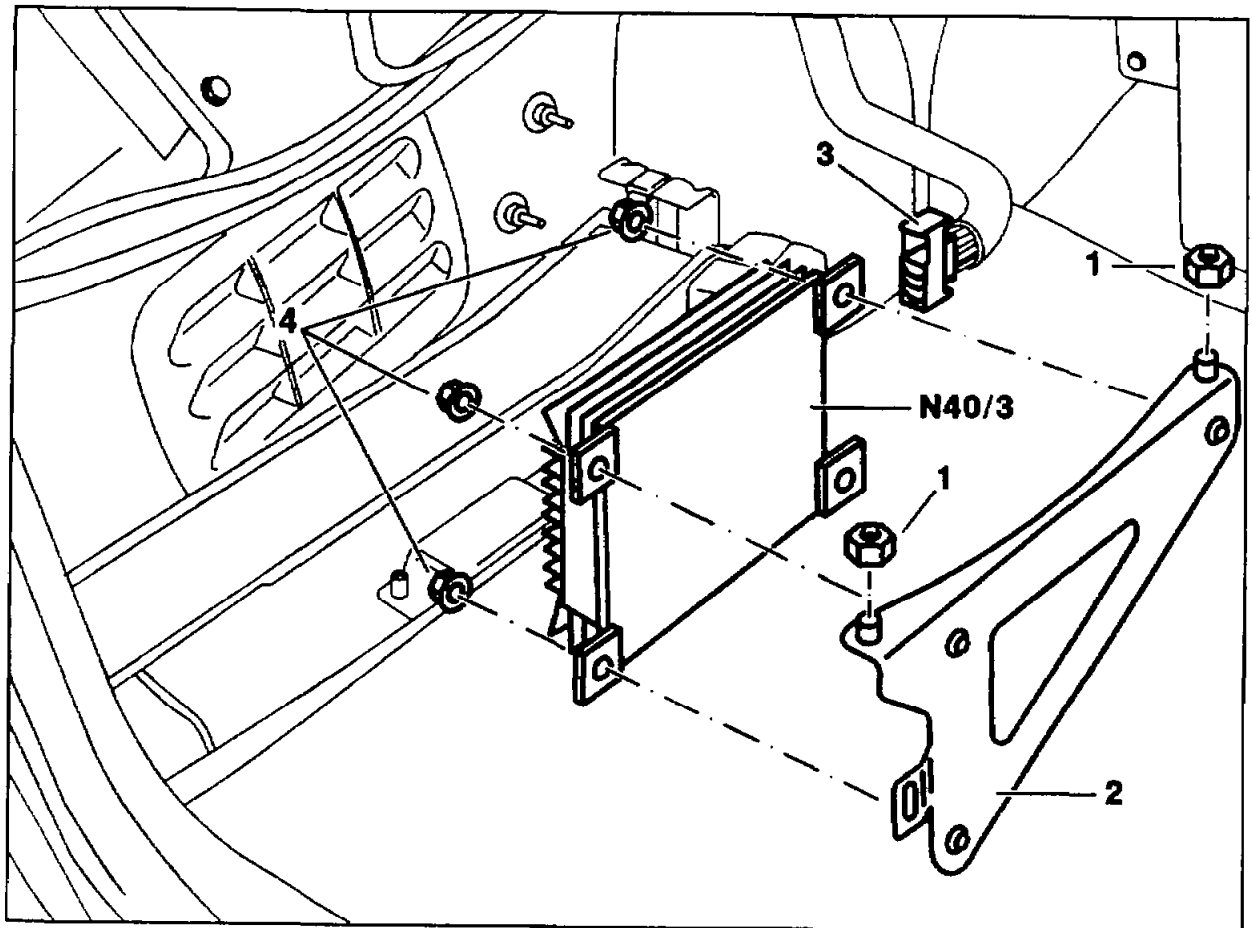
Ground cable at battery	disconnect, connect.
Right trunk trim panel	remove, install.
Nuts (1)	unscrew, screw in.
Control unit (N40/3) with bracket (2)	remove, insert.
Coupling with locking bar (3)	release and take off, fit on and lock.
Nuts (4)	unscrew, screw in.
Bracket (2)	take off, fit on.

B. Station wagon



Ground cable at battery	disconnect, connect.
Right side trim panel	open, close.
Cover (5)	take off, fit on.
Coupling with locking bar (3)	release and take off, fit on and lock.
Bolts (6)	unscrew, screw in.
Control unit (N40/3)	remove, insert.

C. Convertible



P82-6401-57

Battery ground cable	disconnect, reconnect.
Mat in trunk	remove, reinstall.
Dividing wall between fuel tank and trunk	remove, install (68-700).
Panelling on left side of trunk	remove, install.
Cover for vibration damper on left in trunk	remove, install.
Nuts (1)	screw off of bracket (2), screw on.
Connector with locking strap (3)	unlock and remove, attach and lock.
Control unit (N40/3)	remove together with bracket (2), install.
Nuts (4)	screw off, screw on.
Control unit (N40/3)	remove from bracket (2), reattach.

D. Function

The MB active bass speaker system available as optional equipment, consists of two components

- Amplifier control unit (left/right speakers, N40/3)
- Two bass speakers in the doors and the four known front and rear speakers.

The MB active bass speaker system can be operated with any radio without internal fader. The amplifier control unit (left/right speakers, N40/3) is connected to the automatic antenna connection of the radio.

When the radio is switched on, the amplifier N40/3 is activated by the automatic antenna control. The amplifier N40/3 supplies the left, right door speakers (H4/5, H4/6).

Note

The MB active bass speaker system is not available with the optional equipment rear compartment heater (Station Wagon) as the amplifier control unit (left/right speakers, N40/3) is attached at the installation point of the rear compartment heater.

