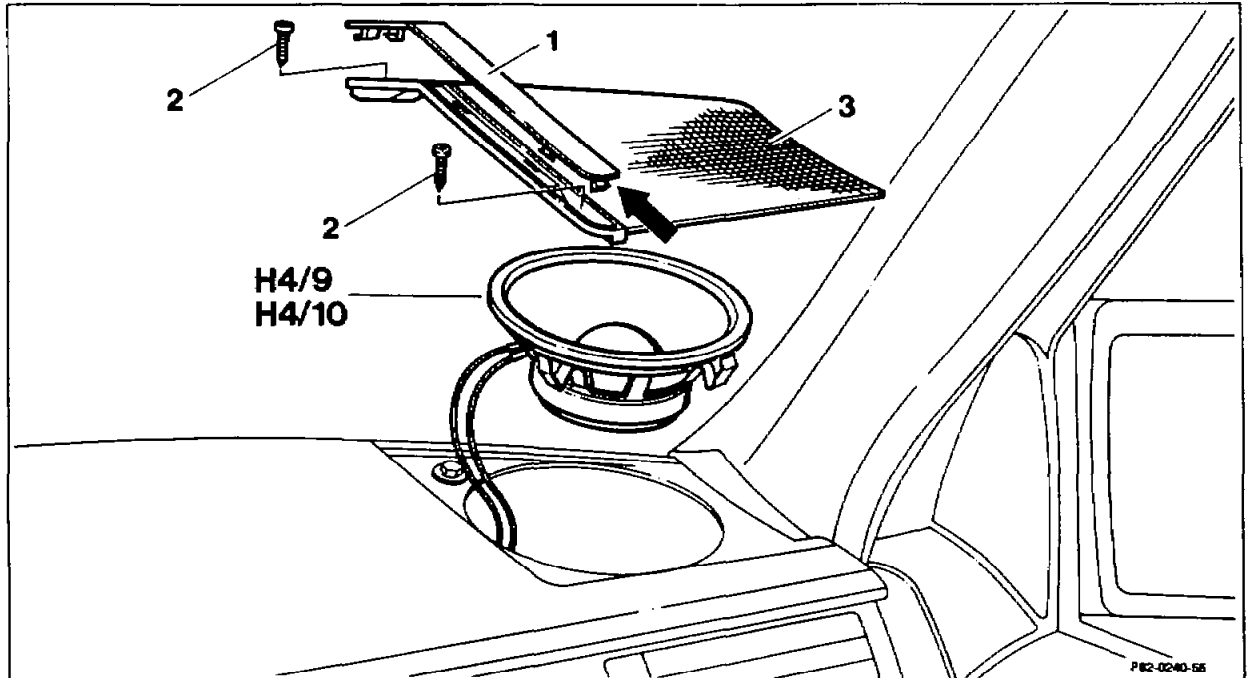


82-7833 Removing and Installing speakers in Instrument panel

Operation no. of operation texts and work units or standard texts
and flat rates: 82-7833, 82-7834



Cover strip (1) with plastic wedge	unclip, clip in place (arrow).
Screws (2)	unscrew, screw in.
Cover (3)	take out to the inside, insert from the inside.
Speakers (H4/9, H4/10) with plastic wedge	press out, insert.

Note

When installing, insert the speaker first of all with the support to the front and press in until the spring clips engage.

Speaker wiring	unplug, plug in.
----------------------	------------------

