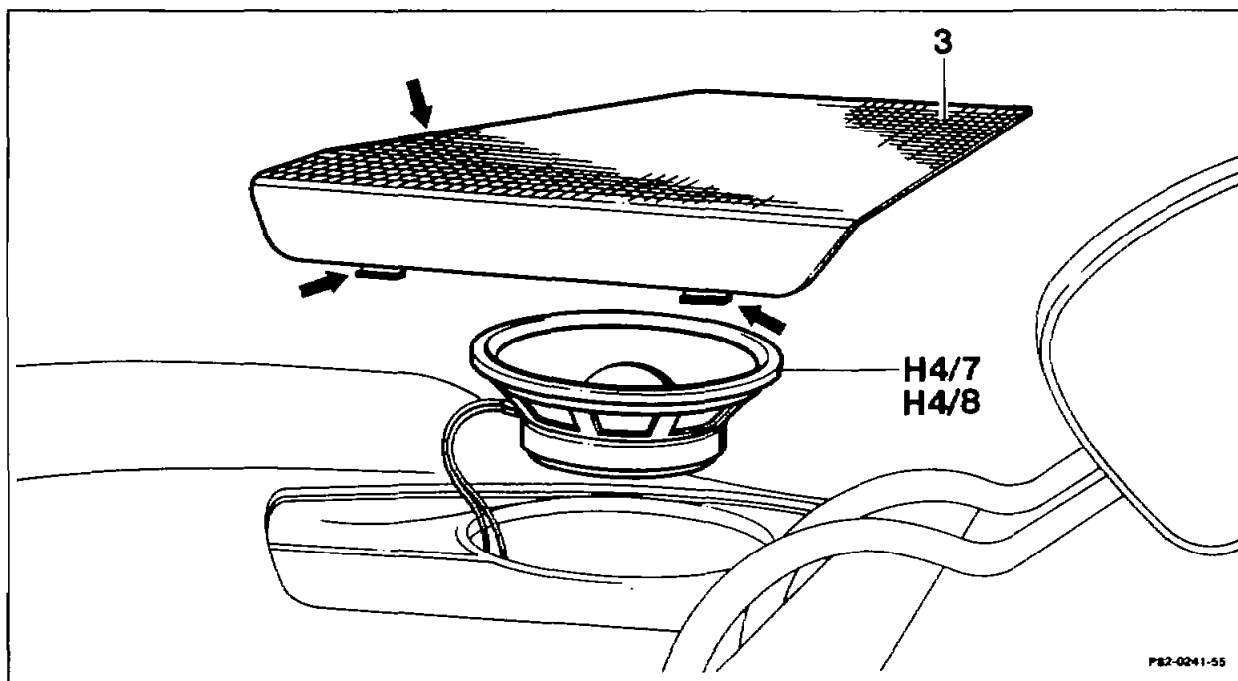


## 82-7836 Removing and installing speakers in rear

Operation no. of operation texts and work units or standard texts  
and flat rates: 82-7836, 82-7837

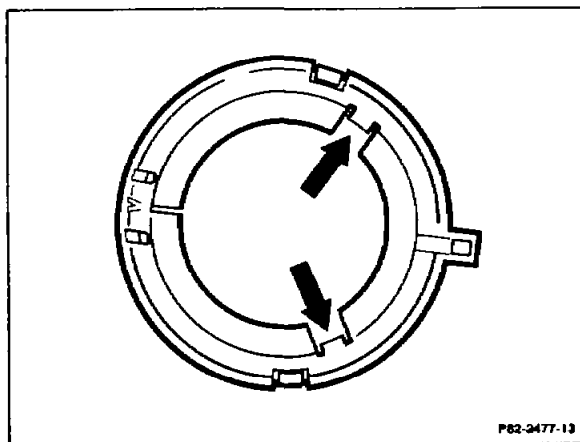
### A. Sedan and coupe



#### Vehicles with rear head restraints

Head restraint .....	raise.
Cover (3) .....	unclip at the points (arrows), clip in place.

Press catches of console to the outside (arrows) and unclip speakers (H4/7, H4/8), clip in place.

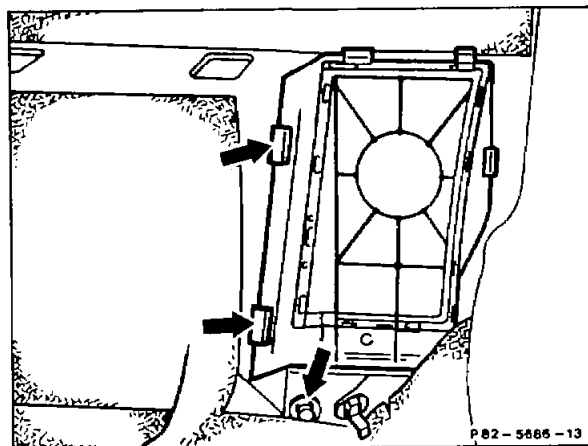


P82-2477-13

Loudspeaker wiring ..... unplug, plug in.

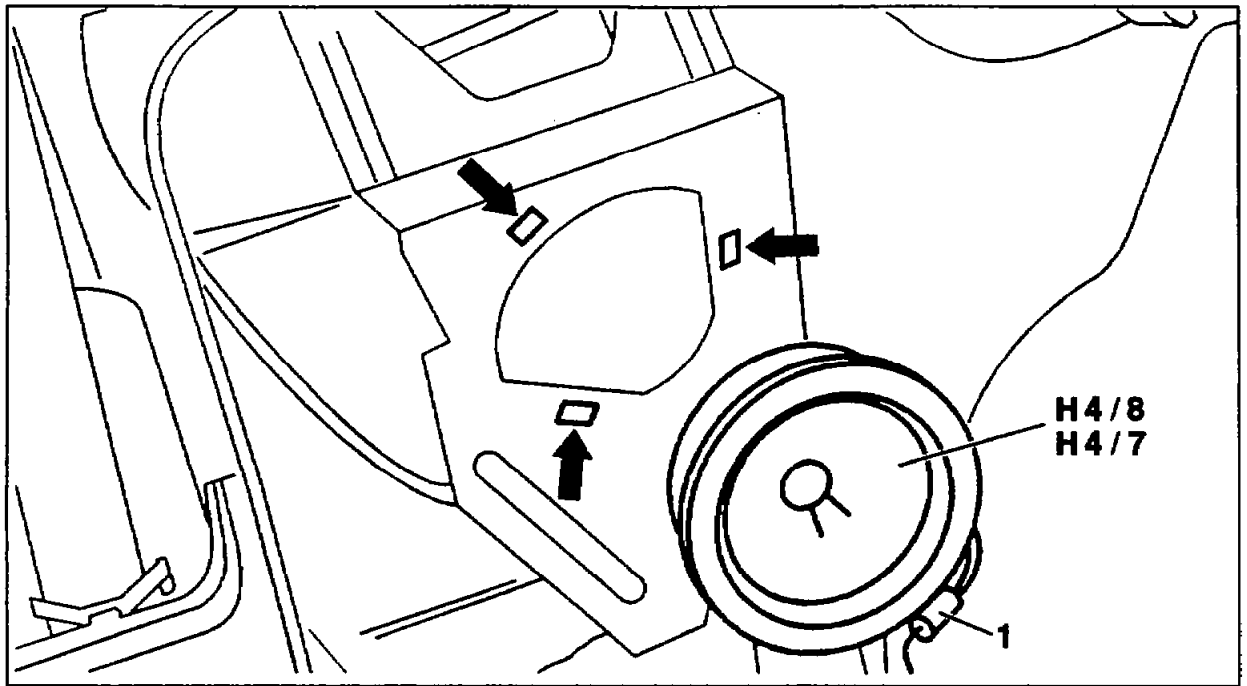
**Note**

As of 05/91 the speaker cover is attached with two expanding clips and a locking clip (arrows).



P82-5886-13

## B. Convertible



P82-6402-55

Rear seat and backrest .....	remove, install (91-170).
Side wall panelling in rear .....	remove, install (68-456).
2-pin plug connection (1) .....	disconnect, reconnect.
Retaining clips (arrows) 3 clips .....	press together and remove speakers (H4/7, H4/8), reinstall.