

## 88-210 Disassembly and assembly of front and rear bumpers

---

### Note

---

The bumpers consist of the following components:

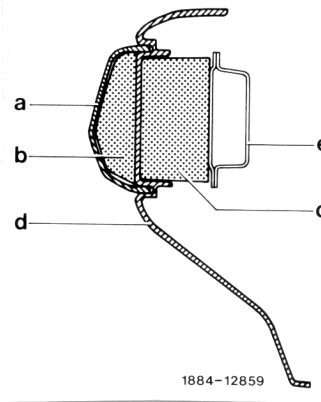
Protective strip

Energy-absorbing foam member, outside

Energy-absorbing foam member, inside

Trim

Cross member (on body)

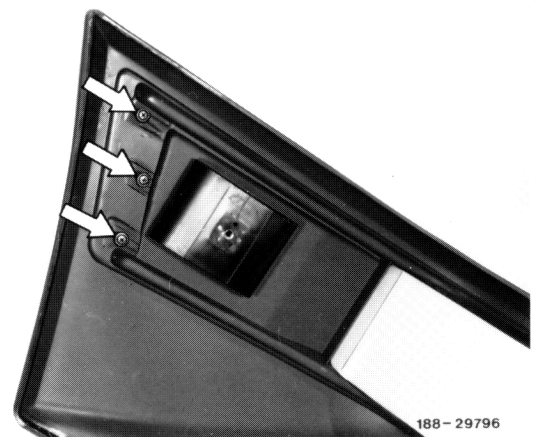


- a Protective strip
- b Foam member, outside
- c Foam member, inside
- d trim
- e Cross member

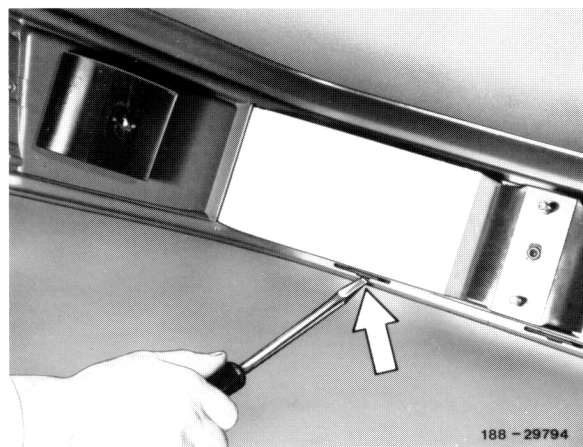
### Disassembly, assembly

---

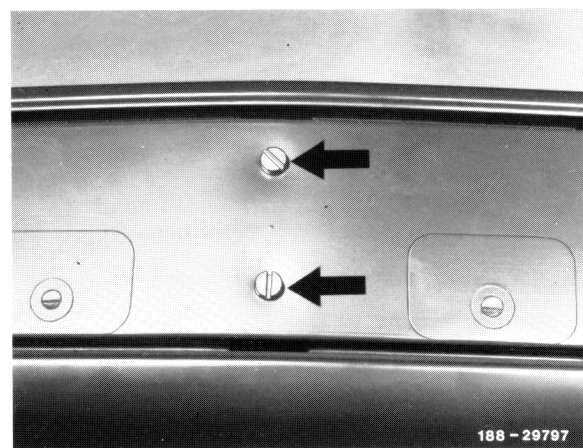
- 1 Remove screws left and right.



- 2 Press back retaining lugs in pairs starting from outside.
- 3 Remove protective strip and foam member.



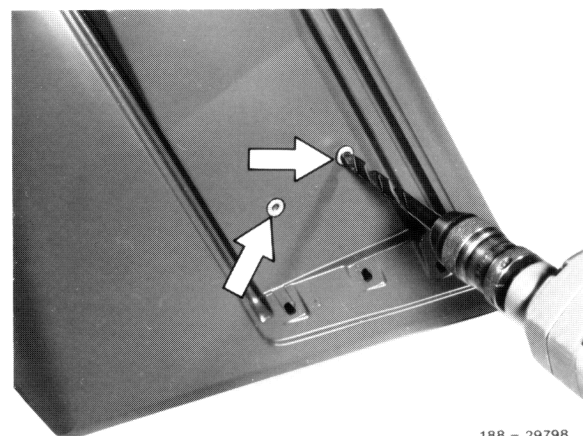
- 4 Unscrew front holder.



- 5 Drill out fastening rivets of lateral holders.

**Note:** Hold rivets inside with pliers, so that the rivet is not turning along while drilling.

- 6 For assembly proceed in reverse order.



**Note:** If rivets and a riveting tool are not available, lateral holders can be screwed on.

