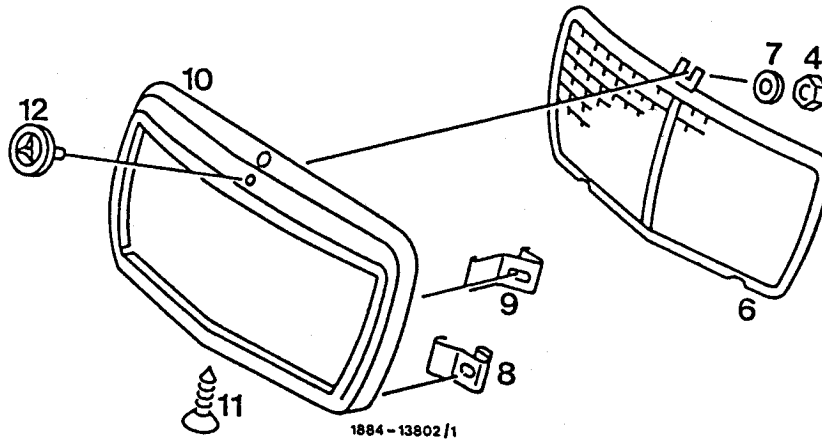


## 88-401 Removal and installation of radiator grille

Radiator cowling removed (88-400)



Plug-in clips (8 and 9) .....	force off at left and right
	<b>Caution!</b>
	plug-in clips are pre-tensioned
Screw (11) .....	unscrew, screw in
Nut (4) and washer (7) .....	unscrew, screw in
Company symbol (12) .....	remove – mount
Grille (6) .....	remove, insert