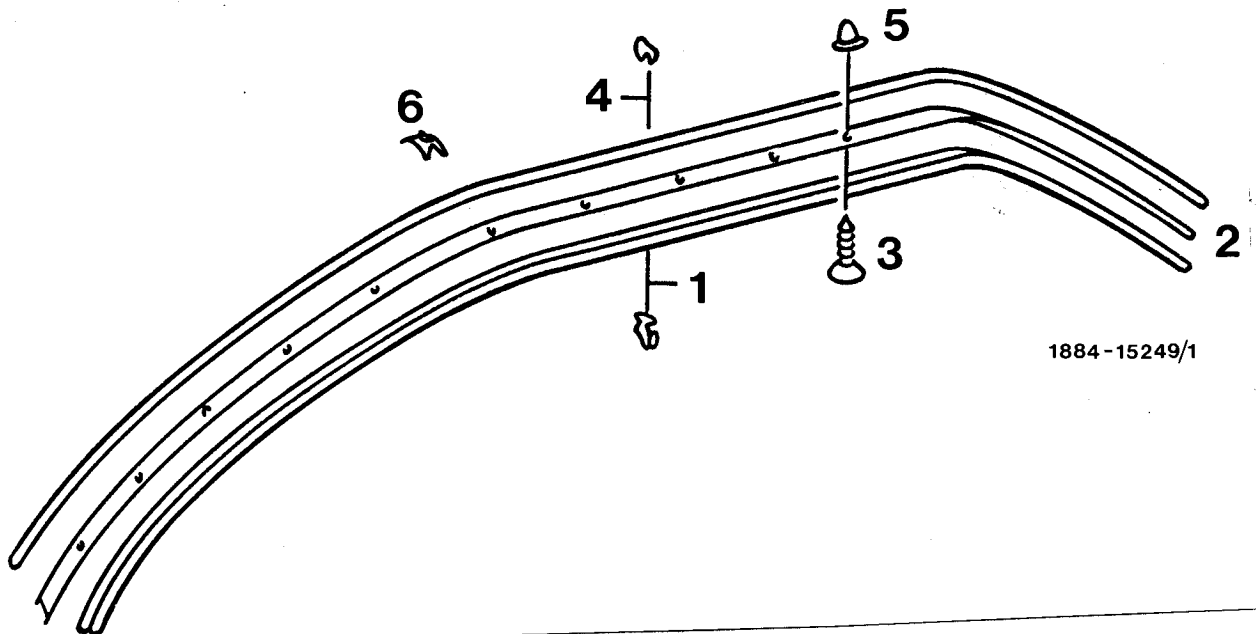


**88-860 Removal and installation of sectional sealing strip on roof frame (coupe)**

---



1884-15249/1

Rear side window and driver's door .....	open
Trim strip, outside on rear side window .....	mask
Door edge protection .....	remove
Sectional sealing strip (1) of holding rail (2) .....	pull out. Moisten with soap solution during installation.
Sheet metal clip (6) of holding rail (2) .....	remove
Screws (3) .....	unscrew
Holding rail (2) with support (4) .....	remove. Pay attention to note.
Dowel (5) in roof frame .....	renew, if damaged

**Note**

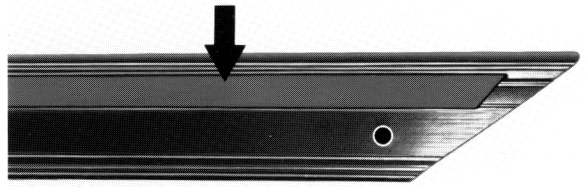
---

For repainting in range of front wall pillar, roof frame and rear pillar, support (4) can be pulled out of holding rail (2).

2601

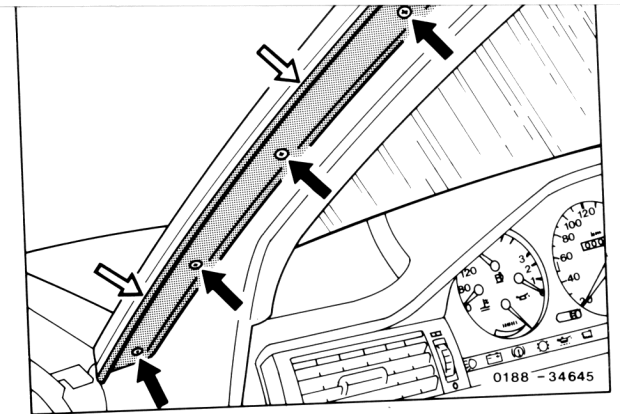
## Installation

- 1 Glue Moltopren strip on contact surface of holding rail.
- 2 Renew damaged plastic dowel pins on body.



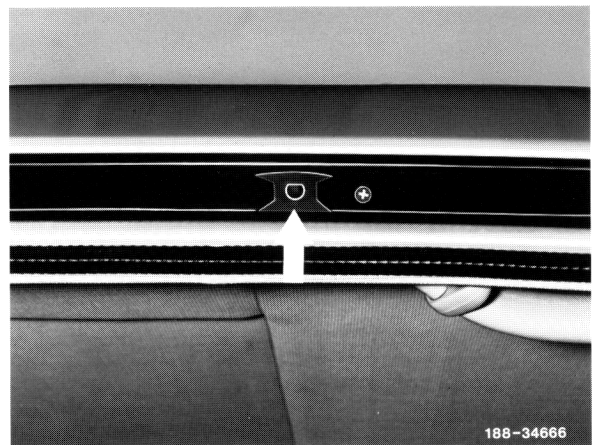
188-34665

- 3 Screw on holding rail with support, ensuring that support layer between holding rail and roof frame is properly positioned.



0188 - 34645

- 4 Insert sheet metal clip into holding rail (bore at level of rear edge of crank window).

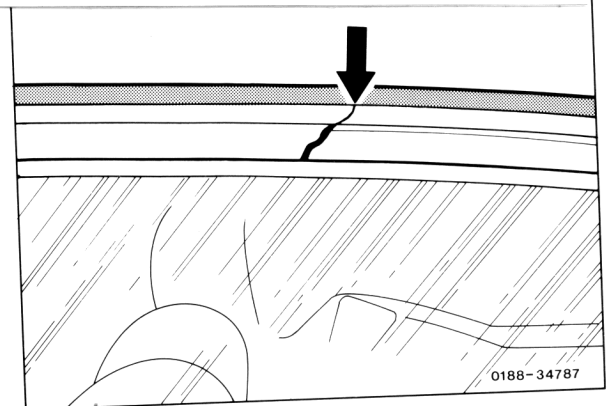


188-34666

- 5 Position sectional sealing strip with contact surface against center of sheet metal clip, then push in sealing profile strip first toward the rear, then forward into holding rail using plastic wedge for this purpose.

**Note:** For easier assembly of sectional sealing strip, coat holding rail with soap solution.

- 6 For further installation proceed in reverse order.



0188-34787