

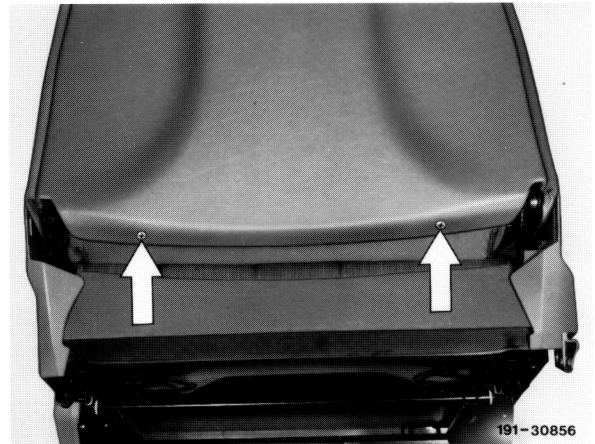
## 91-119 Removal and installation of vacuum switch on driver's backrest (coupe)

---

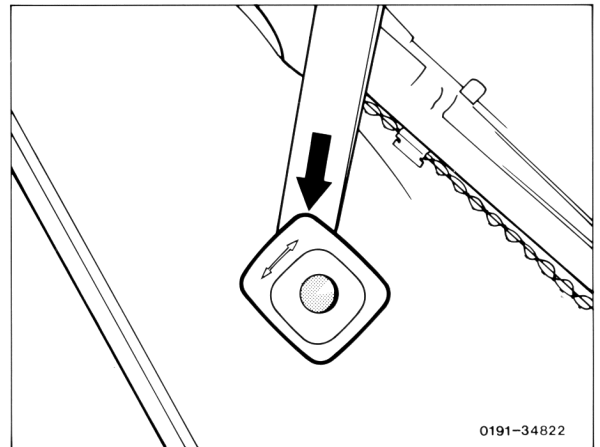
### Removal and installation

---

1 Unscrew screws on clamping member of driver's seat backrest. Pull lining laterally out of plug-in channel and remove tensioning member in downward direction.

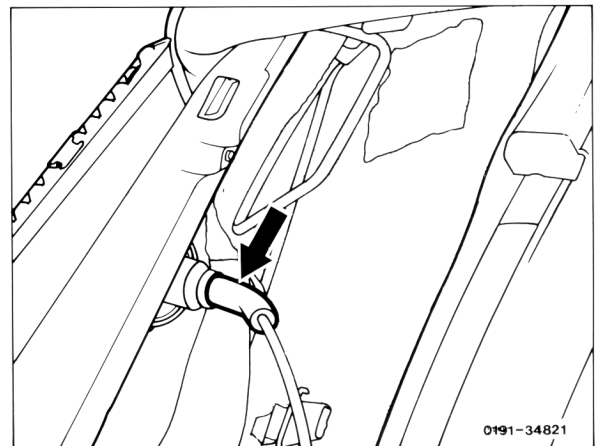


2 Push cover from vacuum switch.

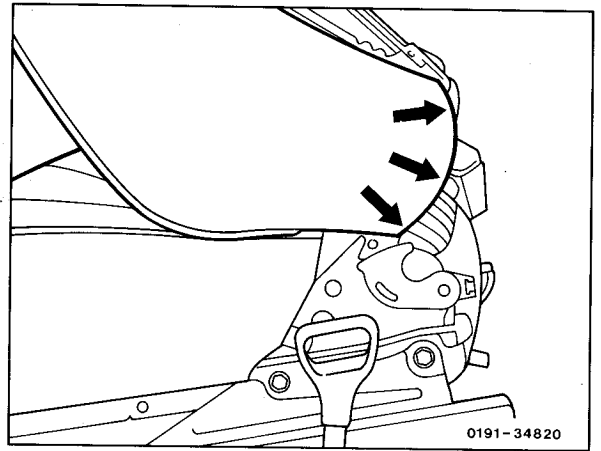


3 Pull vacuum line from vacuum switch.

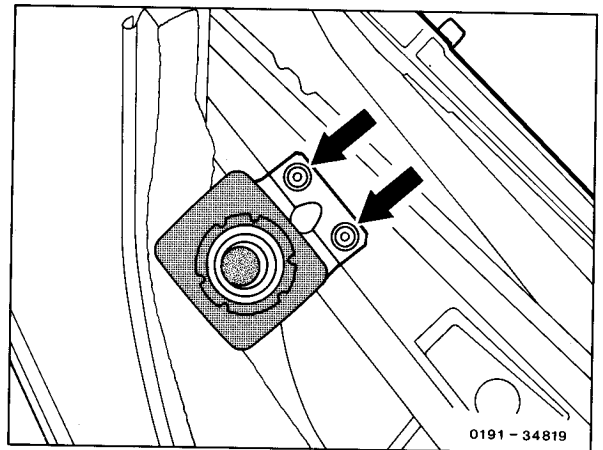
4 Push trim from lefthand backrest fitting and remove.



5 Disengage lining laterally from backrest fitting, below.



6 Separate rivets on backrest frame and remove vacuum switch with holder from backrest frame.



7 Push off lock and remove vacuum switch with plastic frame from sheet metal holder.

8 For installation proceed vice versa.

