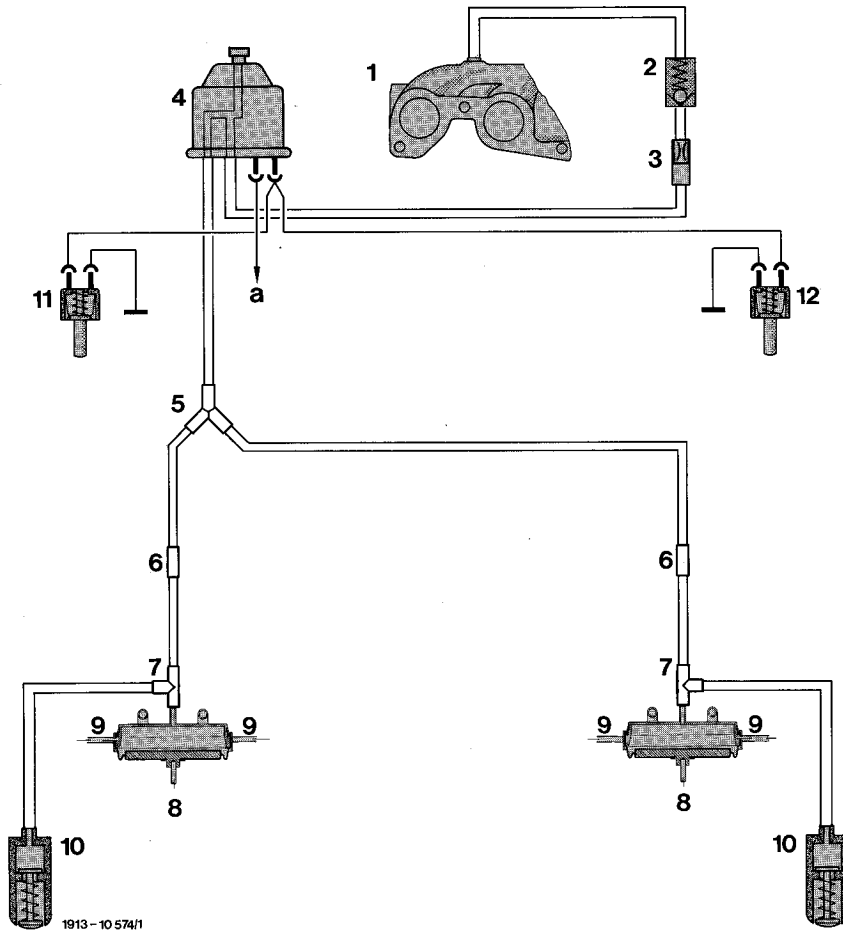
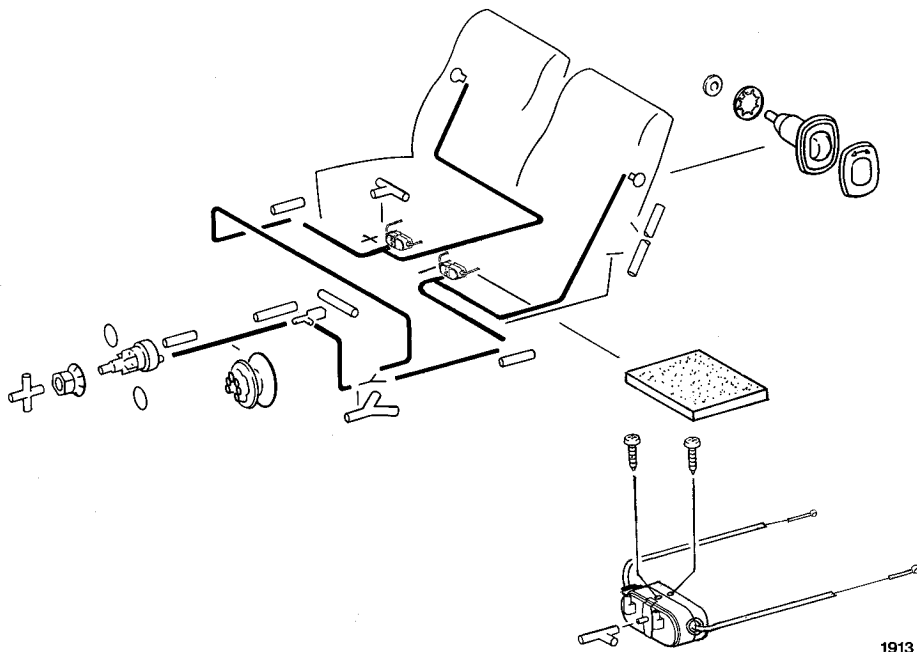


91-162 Function diagram of backrest lock (coupe)



- |   |   |    |                            |
|---|---|----|----------------------------|
| 1 | Intake manifold   | 7  | Distributor                |
| 2 | Check valve   | 8  | Vacuum element             |
| 3 | Connection with orifice                                 | 9  | Actuator                   |
| 4 | Electric switchover valve<br>(at left under rear seats) | 10 | Vacuum switch (backrest)   |
| 5 | Distributor   | 11 | Door contact switch, left  |
| 6 | Connection  | 12 | Door contact switch, right |



1913-1056311