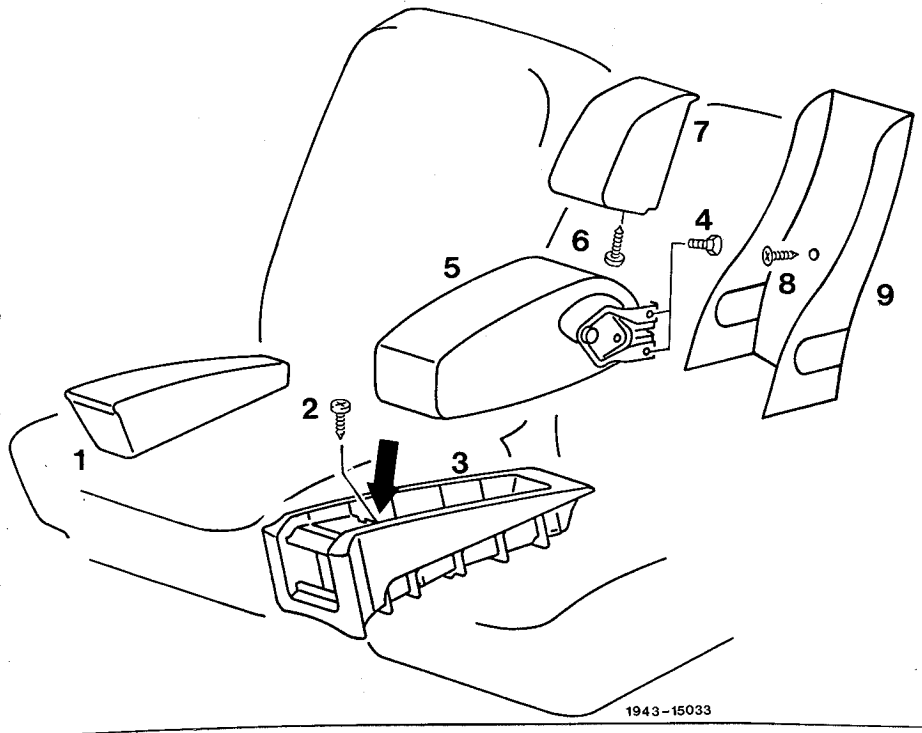


91-175 Removal and installation of folding armrest for rear seat (coupe)

Rear seat and rear seat backrest removed (91-170)



1943-15033

Padding (1)	remove
Screw (2)	unscrew (arrow)
Housing (3)	remove
Screw (4) left and right	4 each, unscrew
Armrest (5)	remove
Screw (6)	unscrew
Padding (7)	remove. During installation, engage in links at top.
Screw (8) on trim (9)	unscrew
Trim (9)	remove