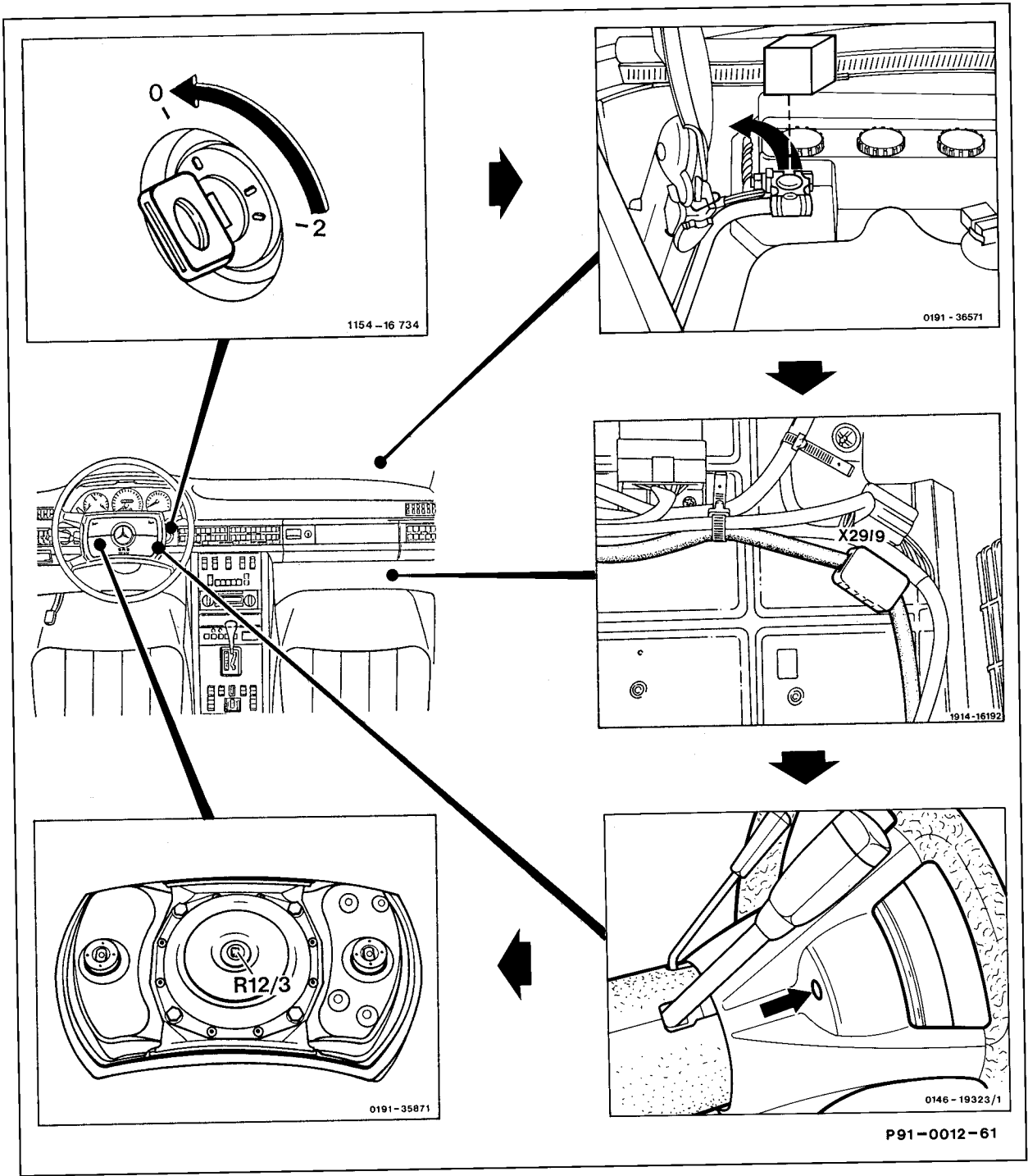


91-660 Removing and installing airbag unit in steering wheel

Op. No. of Job Texts and Work Units,
Standard Texts and Flat Rates



Removing

- | | |
|------------------------------------|-----------------------|
| Ignition key | Turn to position "0". |
| Negative terminal of battery | Disconnect and cover. |

- Foot mat in passenger's footwell Remove.
- Foot rest Unscrew and remove.
- Red test coupling for airbag plug connection
(X29/9) Disconnect.
- Both bolts (arrow) Unscrew using torx socket screwdriver bit whilst holding airbag unit in place.
- Airbag unit Lift off steering wheel.
- Plug connection from detonator (R12/3) Disconnect at gas generator.

Note
Disconnecting this automatically activates a short-circuiting link in the plug connection of the gas generator.

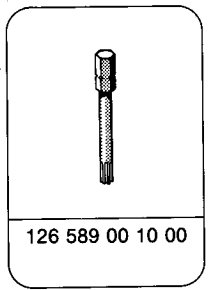
- Airbag unit Lift off steering wheel. Refer to note below and installation note.

Note
No further work should be performed on the entire airbag unit. The airbag unit must be stored under supervision or kept under lock and key if removed for longer periods.



After removal, always store the airbag unit with the cushioned side uppermost.

Special tool



Tightening torque

Torx socket oval-head bolt

6 Nm

Installation note

Airbag units are only available as spare parts as single complete units.



- a) The airbag unit must not be treated with grease, cleaning agents or similar agents.
- b) The airbag unit must not be exposed to temperatures above 100 °C even for brief periods.
- c) The airbag unit is not shock-resistant. Should it fall onto a hard surface from a height of more than 50 cm, the airbag unit must no longer be installed but must be sent back to the Sindelfingen Plant specially packaged (for shipping).
- d) Before installing the airbag unit, check that the battery ground cable is disconnected, the pole is covered and the ignition key is in position "0", and that the test coupling/plug connection for airbag, 10-pin (X29/9), is disconnected.

Installing

Plug connection	Attach to detonator (R12/3) on gas generator. The plug connection must lock audibly.
Airbag unit	Place on steering wheel.
Both torx socket bolts	Screw in loosely approx. 2 revolutions.
Airbag unit	Center visually by hand in the steering wheel opening.
Left-hand torx socket bolt	Screw into steering wheel first and tighten to 6 ± 1 Nm.
Then right-hand torx socket bolt	Tighten to 6 ± 1 Nm whilst pulling the right-hand side of the cushion gently towards you (see paragraph entitled "Noise test, adjustment").
Red test coupling/plug connection for airbag (X29/9)	Connect.
Negative terminal of battery	Connect.
Ignition	Switch on.

Note

The RS or SRS warning lamp must go out after approx. 10 s in vehicles up to 09/87, and after approx. 4 s in vehicles as of 09/87.

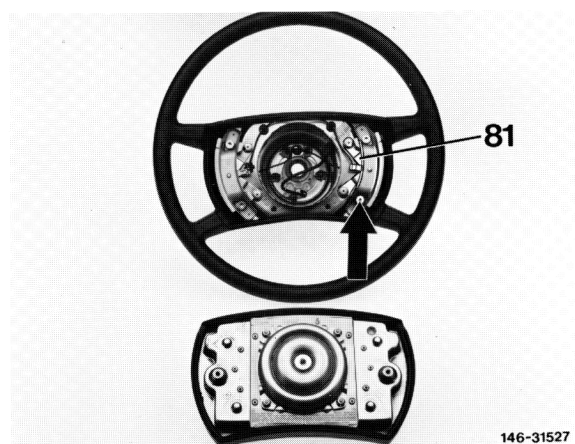
Watch the warning lamp whilst moving the steering wheel to full lock in both directions with the engine running. The warning lamp must not light up or flicker.

Check that the horns function correctly and that the combination switch returns automatically.

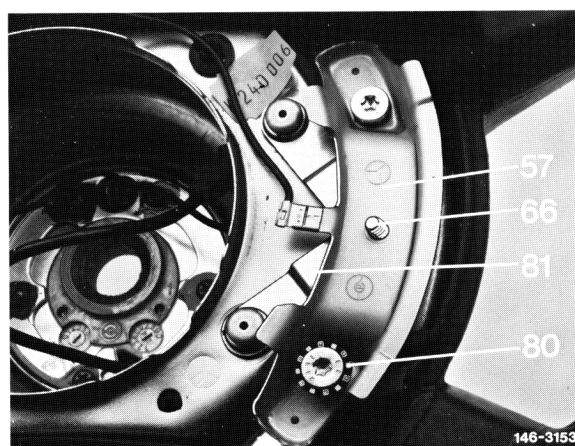
Noise test, adjustment

Check whether the cushion tilts diagonally by pressing gently with the thumbs from bottom left to top right and top left to bottom right. Diagonal tilting leads to rattling of the airbag unit in the steering wheel. If necessary, repeat the adjustment described above after slackening the right-hand bolt.

Steering wheel, 1st version (installed up to 11/85)



In this version, there is a positioning wheel (80) on the right-hand contact link (57) to eliminate any axial play.

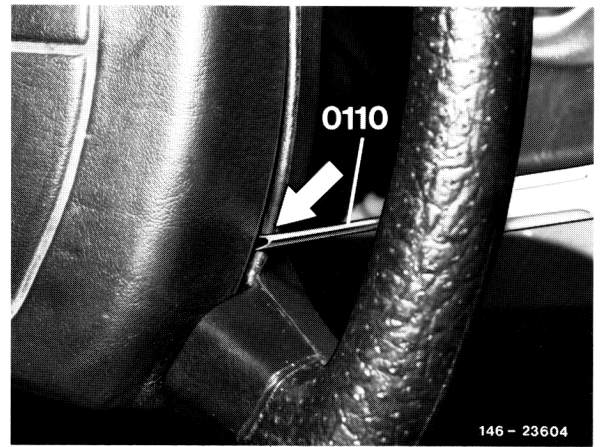


Example:

Play at bottom left or top right: rotate positioning wheel (80) to the left using a suitable tool, e.g. a small screwdriver, until the play is eliminated.



The airbag unit need not be removed for this. Around the positioning wheel, the steering wheel foam has a molded channel to receive the adjusting tool (see arrow).



146 - 23604

Steering wheel, 2nd version

Slacken oval-head torx socket bolts and align airbag unit on steering wheel so that it is correctly seated. Screw in both torx socket bolts a few threads. Then tighten left-hand torx socket bolt to the specified tightening torque. Gently pull right-hand side of airbag unit away from steering wheel and screw in torx socket bolt to the specified tightening torque.

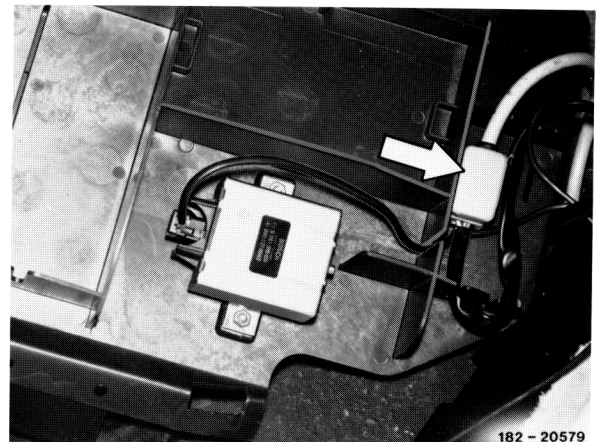


146-31528

Check system using tester, part no. 126 589 10 21 00.

After the test, disconnect the ground cable on the battery and connect the plug connection with the ignition switched off. Hook foot rest into firewall and place foot mat in passenger's footwell.

Connect negative terminal of battery.



182 - 20579

Watch the warning lamp whilst turning the steering wheel to full lock in both directions with the engine running. The warning lamp must not light up or flicker.

Check that the horns function correctly and that the combination switch returns automatically.

