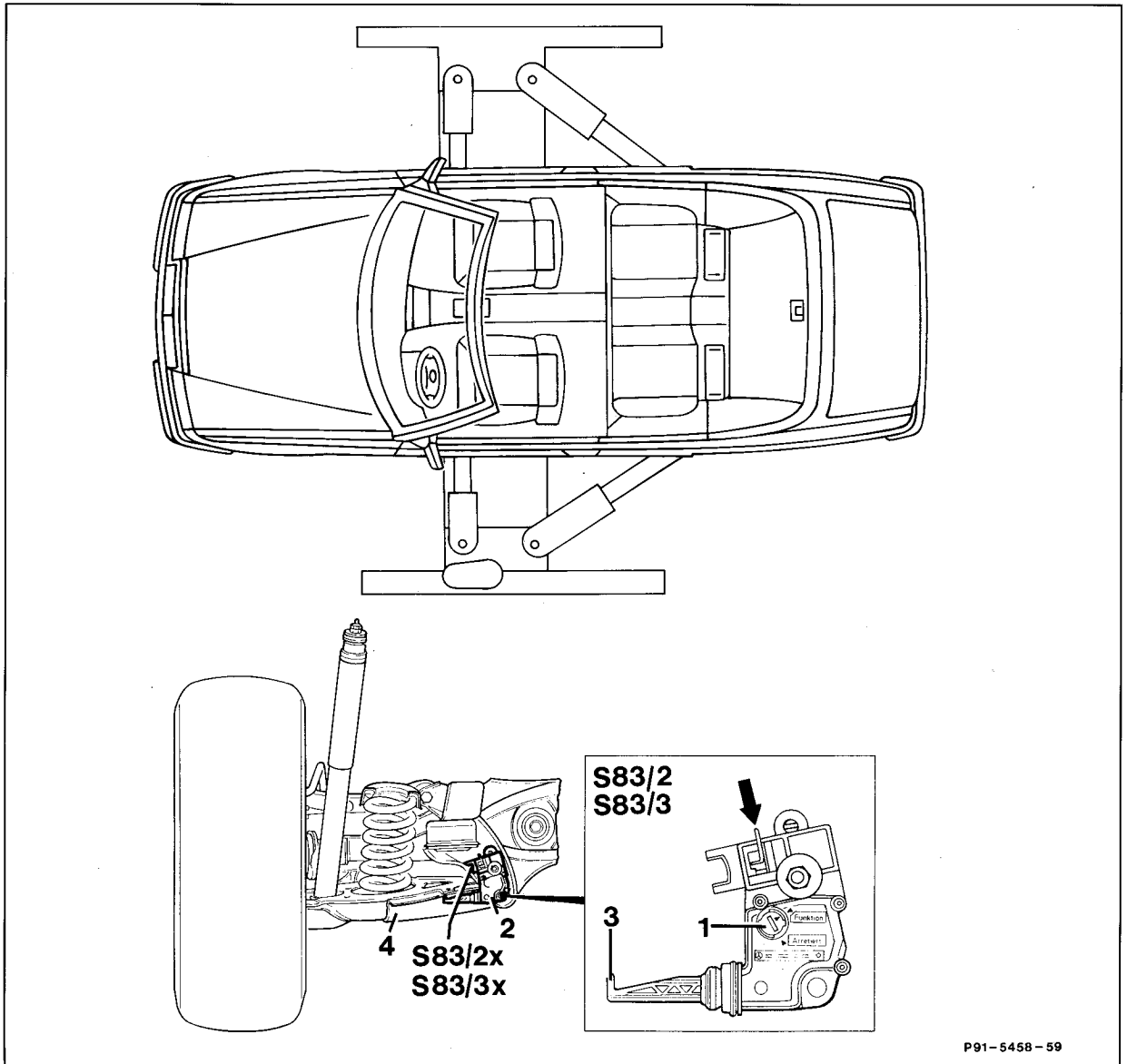


91-860 Removal and installation of left and right rear axle switches



P91-5458-59

Removal

Roll-over bar	extend with convenience actuation feature.
Ignition	switch off.
Ground lead on battery	disconnect
Plug connection, left rear axle switch (S83/2x) and right (S83/3x)	unlock by pressing (arrow) and pull off.
Nut (2)	screw off.
Rear axle switches (S 83/2, S 83/3)	remove

Installation

- Rotary switch (1) on both rear axle switches turn to "Arretiert" (arrested)
- Left and right rear axle switches position on bolts.
- Note**
- The rear wheels must hang free (rear axle suspension extended).
- Hold rear axle switch on toggle and touch tip (3) against panel (4).
- Nut (2) tighten (4 Nm + 0.5 Nm)
- Plug connection, left rear axle switch (S83/2x) and right (S83/3x) press on until they catch visibly (arrow).
- Ground lead on battery connect
- Roll-over bar test for proper function (91-830).
- Rotary switch (1) turn to "Function".